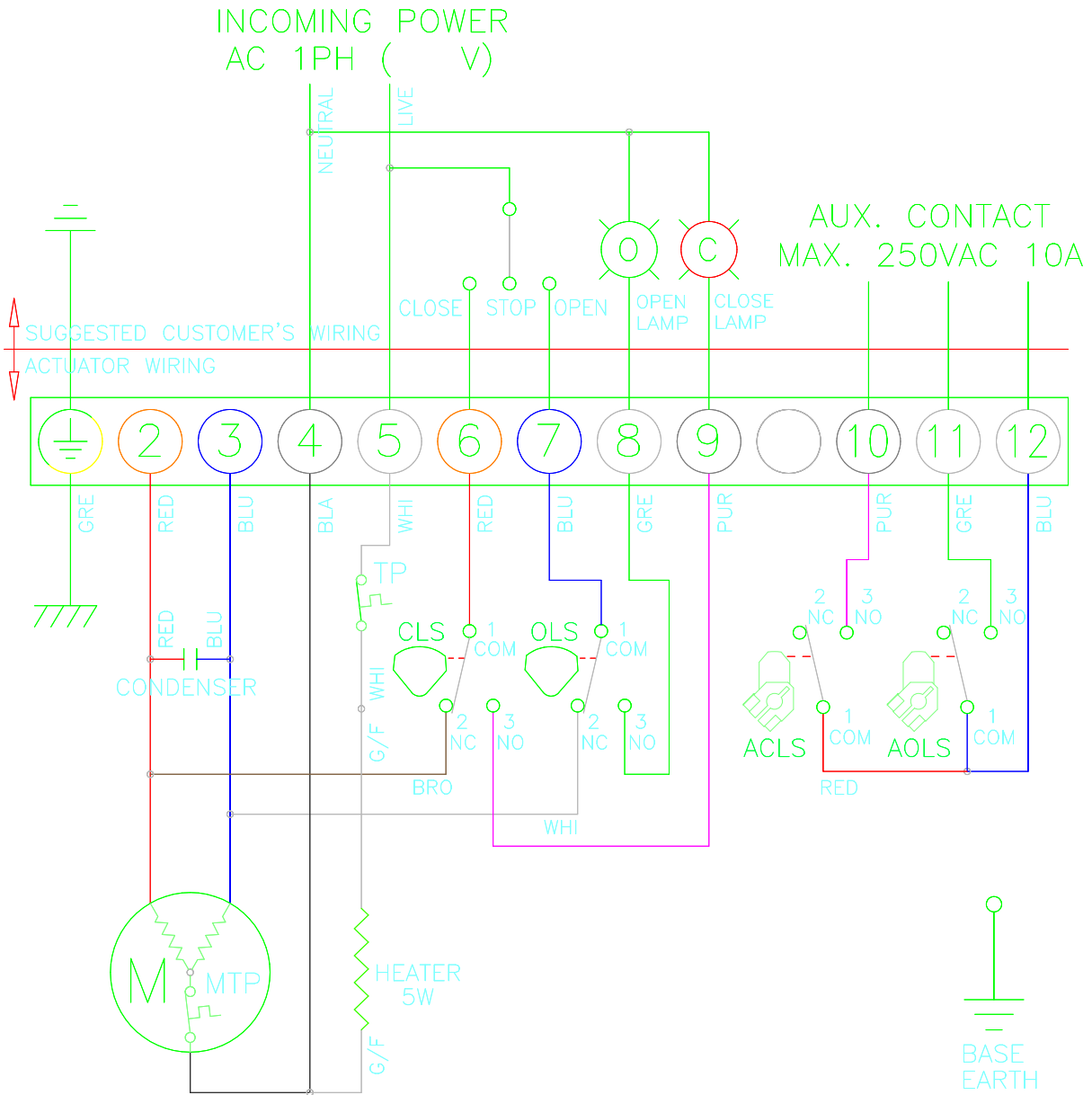


CLS : CLOSE LIMIT SWITCH (250VAC 10A)
 OLS : OPEN LIMIT SWITCH (250VAC 10A)
 ACLS : AUX. CLOSE LIMIT SWITCH (250VAC 10A)
 AOLS : AUX. OPEN LIMIT SWITCH (250VAC 10A)
 ACTS : AUX. CLOSE TORQUE SWITCH (250VAC 10A)
 AOTS : AUX. OPEN TORQUE SWITCH (250VAC 10A)
 TP : THERMAL PROTECTOR (250VAC 15A OPTION)
 *EACH ACTUATOR SHOULD BE POWERED THROUGH ITS OWN INDIVIDUAL SWITCH OR RELAY CONTACTS TO PREVENT CROSS FEED BETWEEN TWO OR MORE ACTUATORS.

TORQUE AND LIMIT SWITCHES OPERATION			
SWITCH	CLOSE ←	INTERMEDIATE	→ OPEN
CLS 1-2			
CLS 1-3			
OLS 1-2			
OLS 1-3			
ACLS1-2			
ACLS1-3			
AOLS1-2			
AOLS1-3			



	 www.pikevalves.com	DRAWN C.J.	DESIGN C.J.	CHECKED	APPROVER
		ISSU. DEPT. ITCDR	DATE 2003.10.15	SIZE A4	PROGRAM AUTO CAD
	PART NAME 1PH WIRING DIAGRAM	DWG NO PE-W-OC-1-LS-0070			
PE-0070	OPTION NAME ALS				
APP'L,FILE					