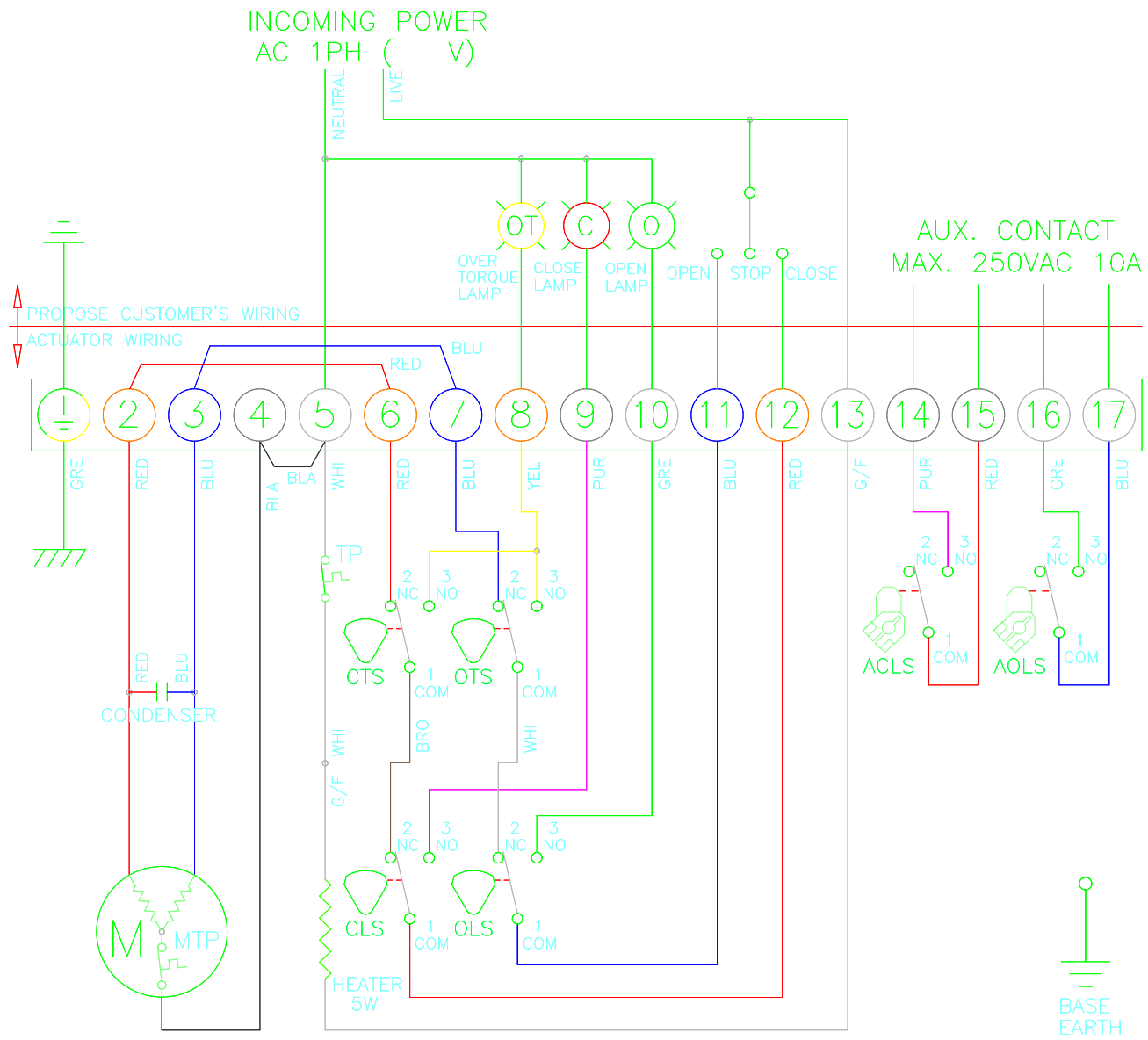


CLS : CLOSE LIMIT SWITCH (250VAC 10A)
 OLS : OPEN LIMIT SWITCH (250VAC 10A)
 CTS : CLOSE TORQUE SWITCH (250VAC 10A)
 OTS : OPEN TORQUE SWITCH (250VAC 10A)
 ACLS : AUX. CLOSE LIMIT SWITCH (250VAC 10A)
 AOLS : AUX. OPEN LIMIT SWITCH (250VAC 10A)
 TP : THERMAL PROTECTOR (250VAC 15A OPTION)
 *EACH ACTUATOR SHOULD BE POWERED THROUGH ITS OWN INDIVIDUAL SWITCH OR RELAY CONTACTS TO PREVENT CROSS FEED BETWEEN TWO OR MORE ACTUATORS.

| TORQUE AND LIMIT SWITCHES OPERATION | | | |
|-------------------------------------|---|--------------|--------|
| SWITCH | CLOSE ← | INTERMEDIATE | → OPEN |
| CLS 1-2 | | | |
| CLS 1-3 | | | |
| OLS 1-2 | | | |
| OLS 1-3 | | | |
| ACLS1-2 | | | |
| ACLS1-3 | | | |
| AOLS1-2 | | | |
| AOLS1-3 | | | |
| CTS 1-3 | * CLOSING TORQUE SWITCH INTERRUPTS CONTROL IF MECHANICAL OVERLOAD OCCURS DURING CLOSING CYCLE | | |
| OTS 1-3 | * OPENING TORQUE SWITCH INTERRUPTS CONTROL IF MECHANICAL OVERLOAD OCCURS DURING OPENING CYCLE | | |



| | | | | | | |
|-------------|---------|---|------------------------|------------|---------|----------|
| PE-1100 | |  www.pikevalves.com | DRAWN | DESIGN | CHECKED | APPROVER |
| PE-0810 | | | C.J. | C.J. | | |
| PE-0590 | | | | | | |
| PE-0370 | | PART NAME | ISSU. DEPT. | DATE | SIZE | PROGRAM |
| PE-0250 | | 1PH WIRING DIAGRAM | ITCDR | 2003.10.15 | A4 | AUTO CAD |
| PE-0175 | | OPTION NAME | DWG NO | | | |
| PE-0120 | PE-2210 | ALS | PE-W-OC-1-LS_1475-2210 | | | |
| APP'L, FILE | PE-1475 | | | | | |